

Radio control model / Flugmodell

Junkers JU-52



ALL Balsa, PLYWOOD CONSTRUCTION AND ALMOST READY TO FLY

Instruction manual / Montageanleitung

SPECIFICATIONS

Wingspan:.....1630mm (63in.)
Length:.....1070mm (41in.)
Electric Motor:.....See next pager
RTF Weight: 2.3Kg / 5.1lbs (Will vary with
Equipment Used).
Radio:.....6 Channel / 6 Servos
Function: Ailerons-Flaps-Elevator-Rudder

TECHNISCHE DATEN

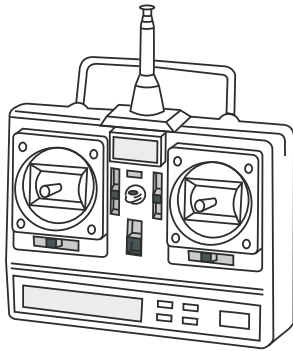
Spannweite:.....1630mm
Länge:.....1070mm
Elektroantrieb.....(siehe nächste Seite)
Brushless Motor:.....PULSAR P-15 X3
Fluggewicht:.....2.3Kg
Fernsteuerung.....6 Kanal / 6 Servos



WARNING! This radio controlled model is NOT a toy. If modified or flown carelessly it could go out of control and cause serious human injury or property damage. Before flying your airplane, ensure the air field is spacious enough. Always fly it outdoors in safe areas and seek professional advice if you are unexperienced.

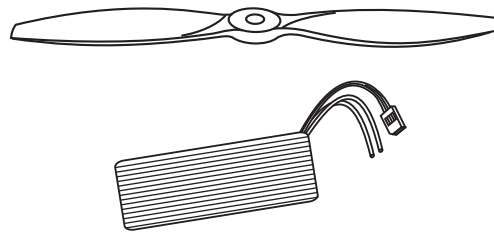
ACHTUNG! Dieses ferngesteuerte Modell ist KEIN Spielzeug! Es ist für fortgeschrittene Modellflugpiloten bestimmt, die ausreichende Erfahrung im Umgang mit derartigen Modellen besitzen. Bei unsachgemäßer Verwendung kann hoher Personen- und/oder Sachschaden entstehen. Fragen Sie in einem Modellbauverein in Ihrer Nähe um professionelle Unterstützung, wenn Sie Hilfe im Bau und Betrieb benötigen. Der Zusammenbau dieses Modells ist durch die vielen Abbildungen selbsterklärend und ist für fortgeschrittene, erfahrene Modellbauer bestimmt.

Sonderzubehör (empfohlen) / Opional Accessories (recommended):



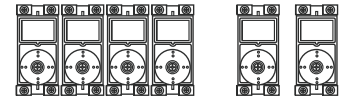
Minimum 6 channel radio with 6 mini servos

.Elevator x1
.Rudder x1. Aileron x2. R-L Flap x2

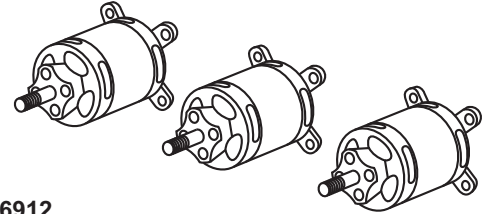


6745
LEMONRC LiPo Akku
4300 - 11,1V

LEMONRC LiPo battery
4300 - 11,1V



C5185 Servo MASTER S2112 (x 2)
C6623 Servo MASTER S2112 / 4-Pack

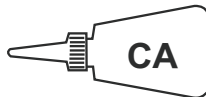


C6912
Antriebsset 3-motorig für Junkers JU52
inkl. 3 x Brushless Motoren, 3 x Brushless Regler,
Kabelsätze

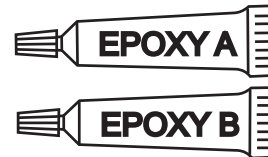
Power Set motors for Junkers JU 52
incl. 3 Brushless Motors, 3 pcs. Brushless ESC
and cable/wiring harness

Alle Infos zu diesem Zubehör unter:
More infos about these Accessories:
www.pichler-modellbau.de

GLUE (Purchase separately)



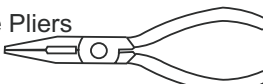
X3572
Zoom CA
Cyanoacrylate Glue (thin type)





X3598-120
5-Min Epoxy

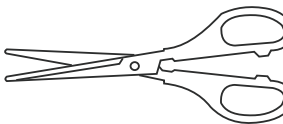
TOLLS REQUIRED (Purchase separately)

Hobby knife 

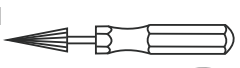
Needle nose Pliers 

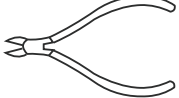
Sander 

Phillip screw driver 

Scissors 

Hex Wrench 

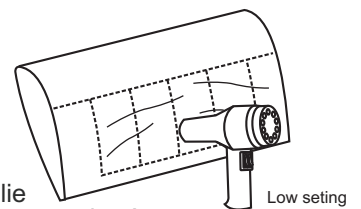
Awl 

Wire Cutters 


Masking tape - Straight Edged Ruler - Pen or pencil - Drill and Assorted Drill Bits

If exposed to direct sunlight and/or heat, wrinkles can appear. Storing the model in a cool place will let the wrinkles disappear. Otherwise, remove wrinkles in covering film with a hair dryer, starting with low temperature. You can fix the corners by using a hot iron.


Bei Sonneneinstrahlung und/oder Wärme kann die Folie erschlaffen bzw. Falten entstehen. Verwenden Sie ein Warmluftgebläse (Haartrockner) um evtl. Falten aus der Folie zu bekommen. Die Kanten können Sie mit einem Bügeleisen behandeln. Nicht zuviel Hitze anwenden !





Symbols used throughout this instruction manual, comprise:


 Drill holes using the stated size of drill (in this case 1.5 mm)


 Take particular care here


 Hatched-in areas: remove covering film carefully

 Check during assembly that these parts move freely, without binding

 Use epoxy glue

 Apply cyano glue


 Assemble left and right sides the same way.

 Not included. These parts must be purchased separately

 Löcher bohren mit dem angegebenen Bohrer (hier 1,5 mm)


 Hier besonders aufpassen

 Schraffierte Stellen, Bespannfolie vorsichtig entfernen

 Während des Zusammenbaus immer prüfen, ob sich die Teile auch reibungslos bewegen lassen

 Epoxy-Klebstoff verwenden

 Sekundenkleber auftragen

 Linke und rechte Seite wird gleichermaßen zusammengesetzt

 Nicht enthalten. Teile müssen separat gekauft werden.

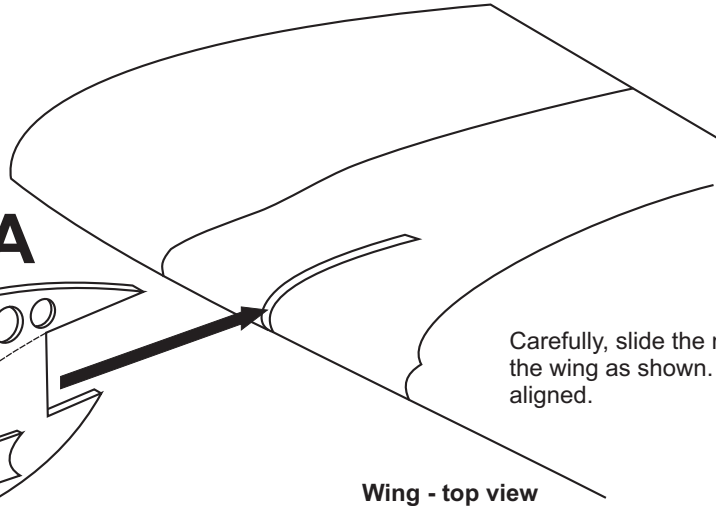
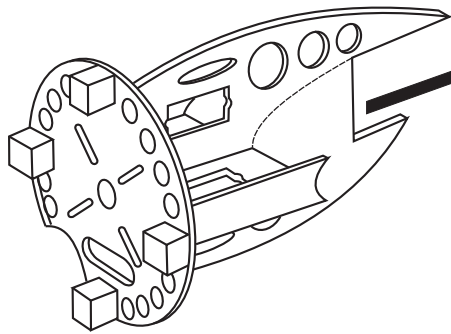
Read through the manual before you begin, so you will have an overall idea of what to do.

CONVERSION TABLE

1.0mm = 3/64"	3.0mm = 1/8"	10mm = 13/32"	25mm = 1"
1.5mm = 1/16"	4.0mm = 5/32"	12mm = 15/32"	30mm = 1-3/16"
2.0mm = 5/64"	5.0mm = 13/64"	15mm = 19/32"	45mm = 1-51/64"
2.5mm = 3/32"	6.0mm = 15/64"	20mm = 51/64"	

1

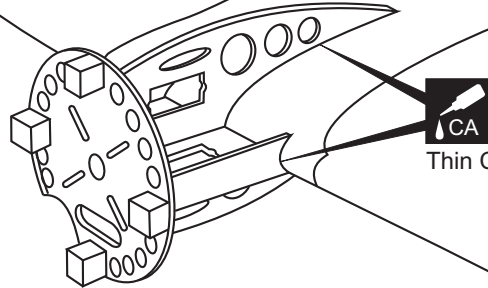
1A



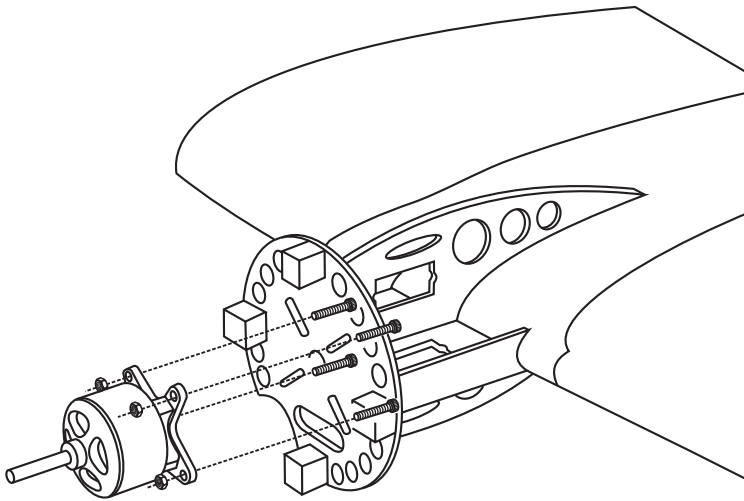
Carefully, slide the motor mount into the slot on the wing as shown. Ensuring that they are accurately aligned.

Wing - top view

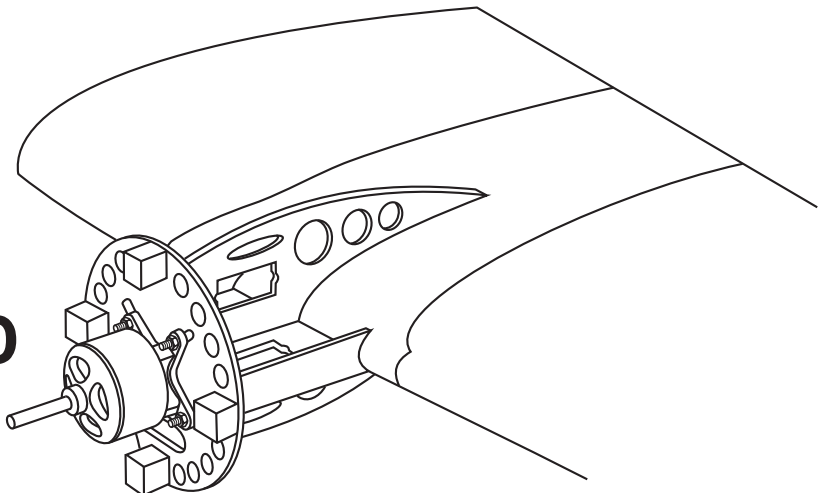
1B



Thin CA



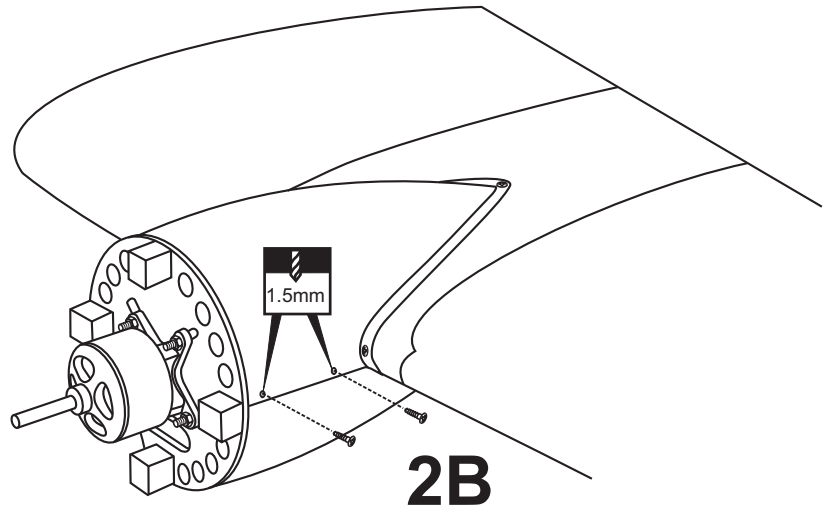
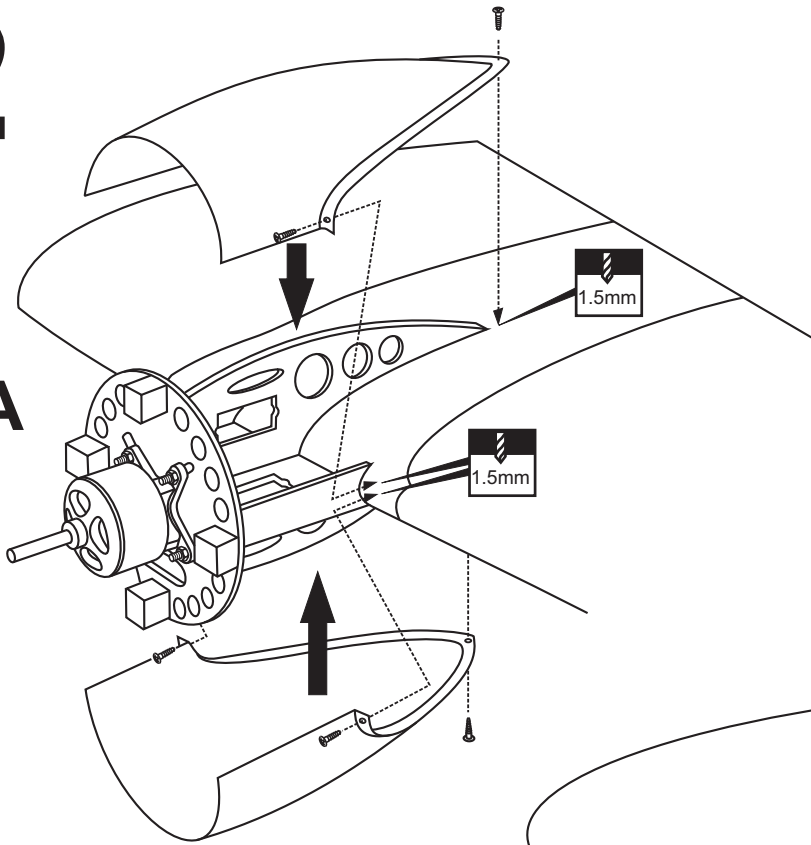
1D



2

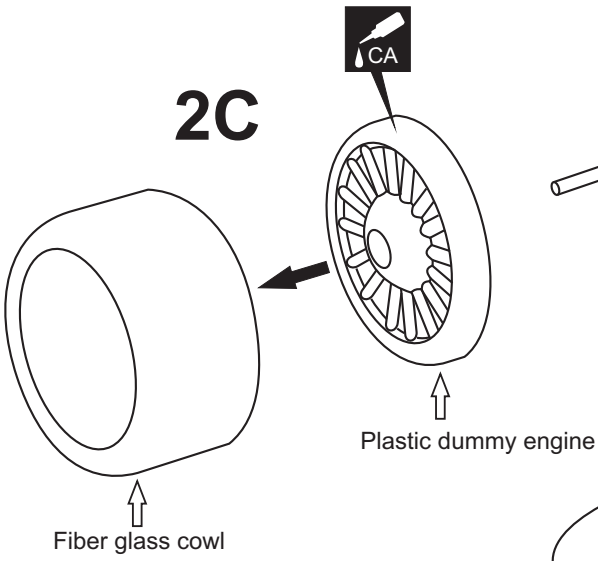
Vis 2x8mm
10

2A



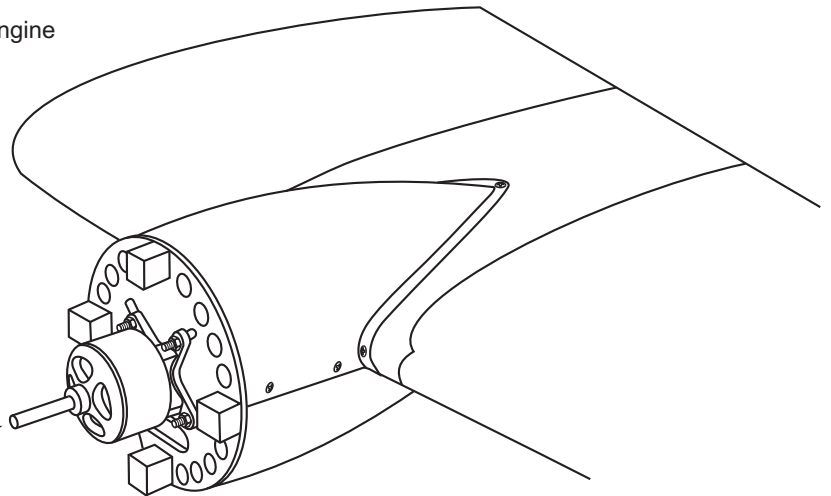
2B

2C



Plastic dummy engine

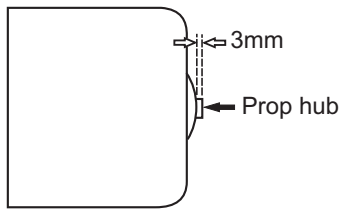
Fiber glass cowl



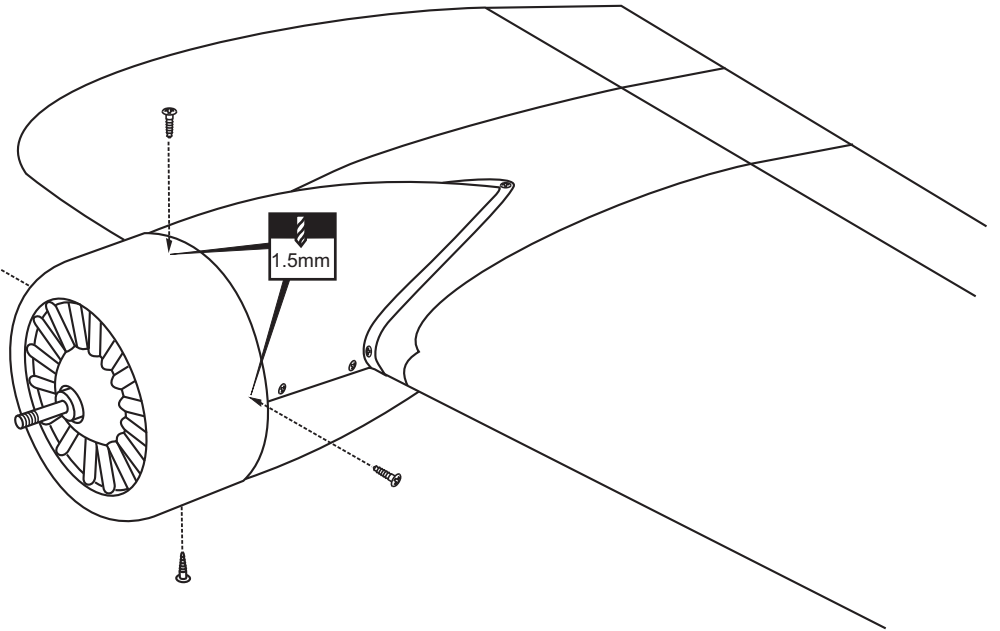
2D



3



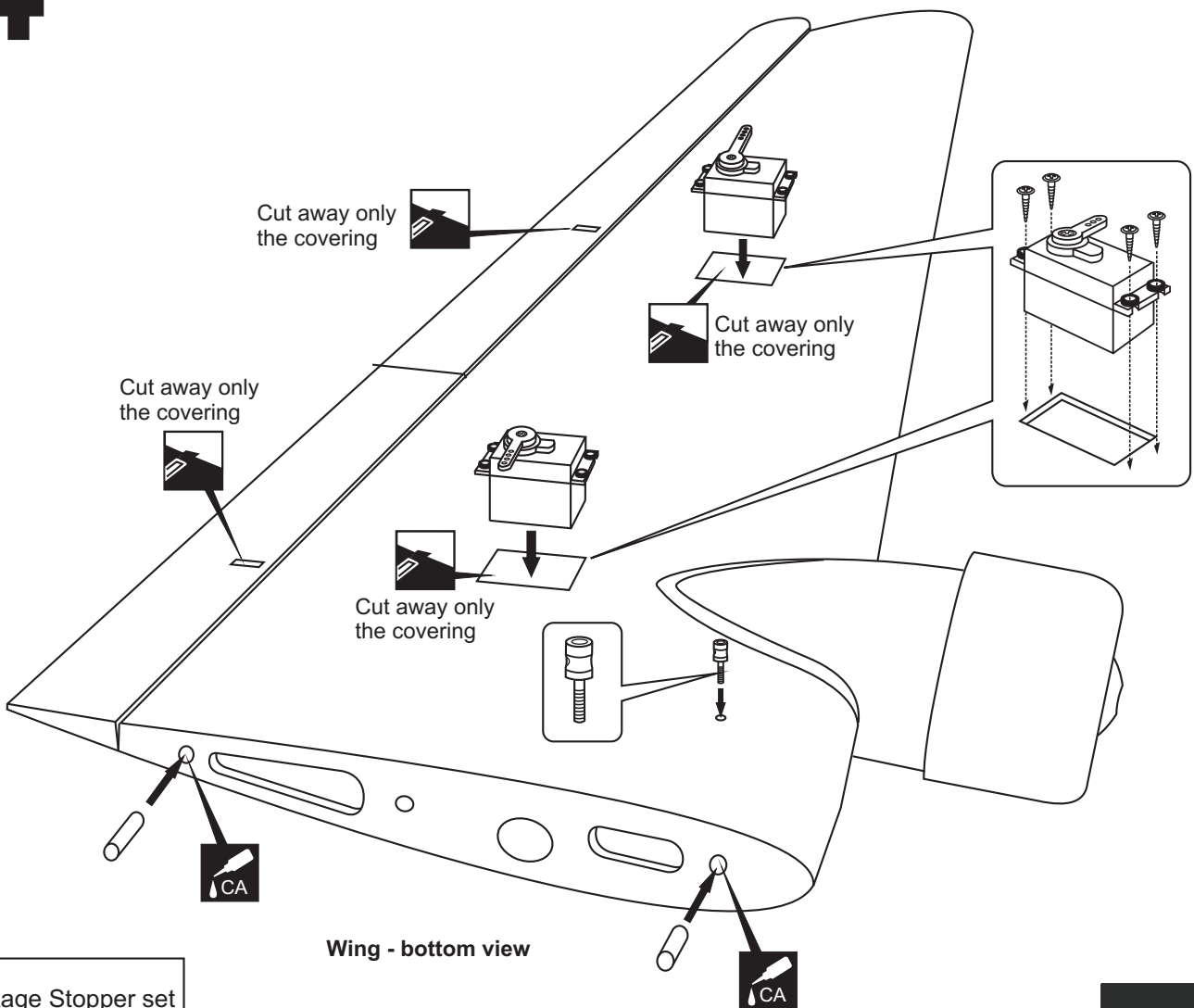
Position the cowl so the distance from the prop hub to the plastic dummy engine is 3mm.



Vis 2x8mm
.....4



4

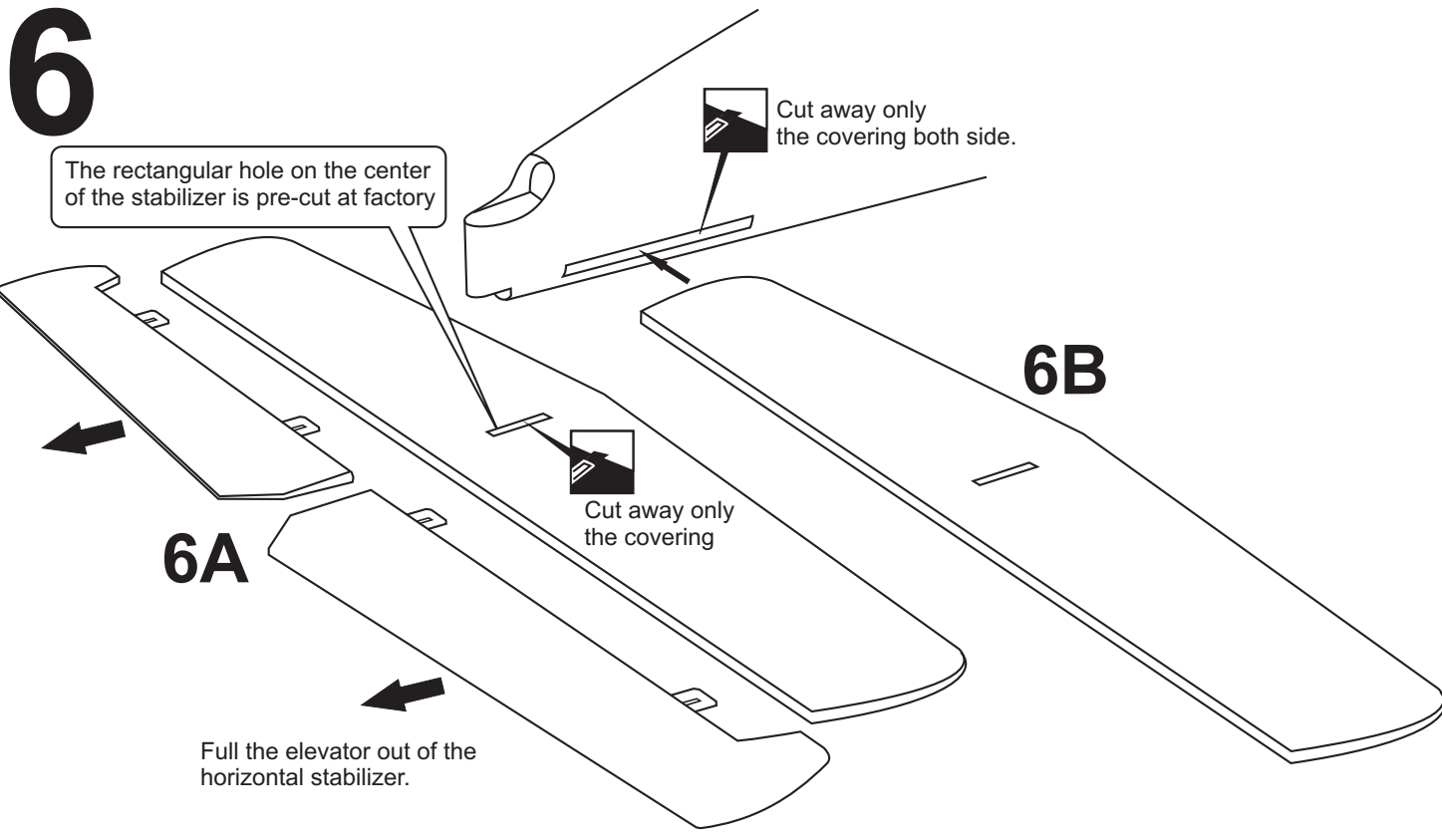
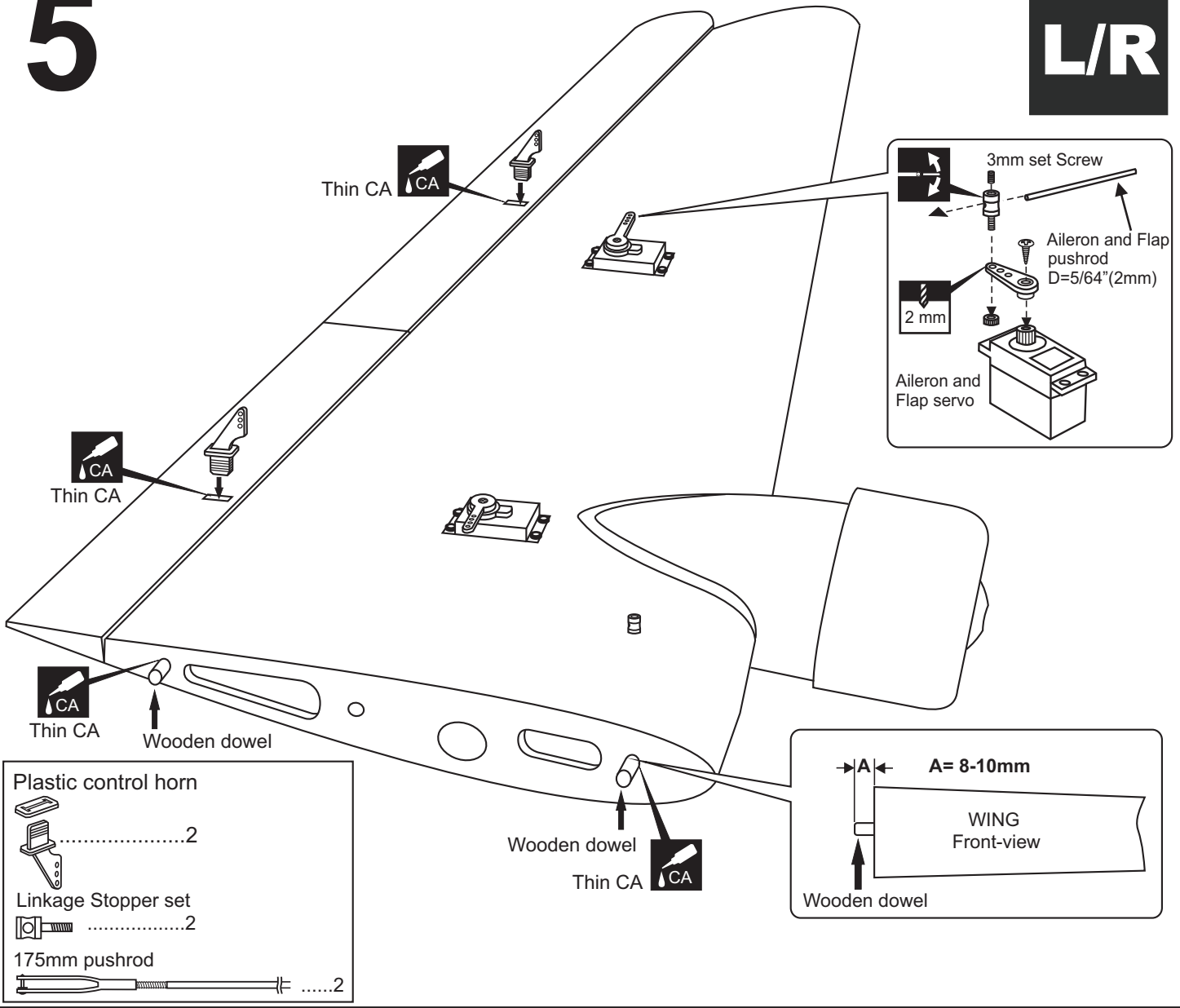


Linkage Stopper set
.....1
6mm dowel.
.....2



5

L/R



7

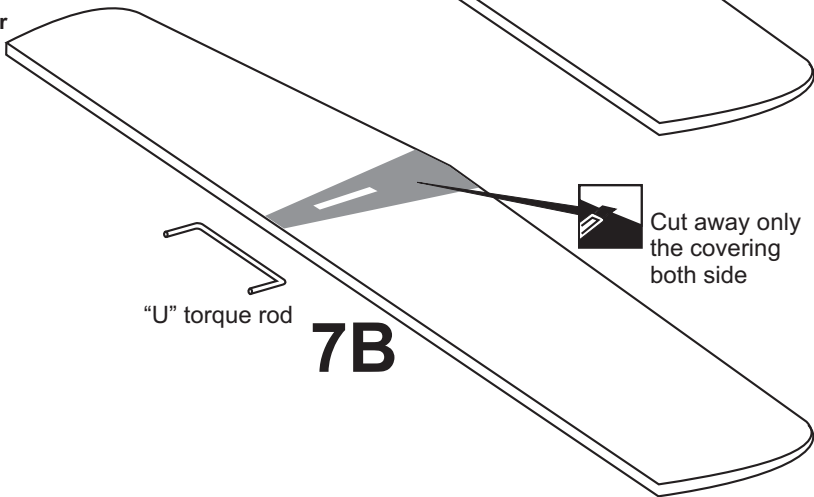
When you are satisfied with the alignment, use a pencil to trace around the top and bottom of the stabilizer where it meets the fuselage (7A).

Note: the rectangular hole on the center of the stabilizer must be coincidental with the center line of the fuselage.

7A

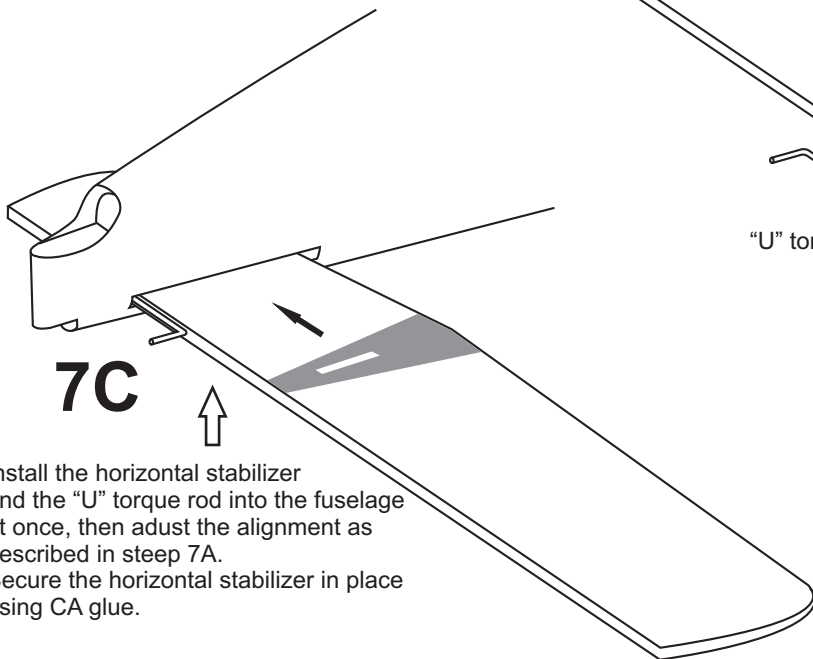
Remove the horizontal stabilizer from the fuselage. Using the sharp hobby knife, carefully cut away the covering inside the lines which were marked above (7B).

*** WARNING:** When removing any covering from the airframe, please ensure that you secure the cut edge with CA or similar cement. This will ensure the covering remain tight.



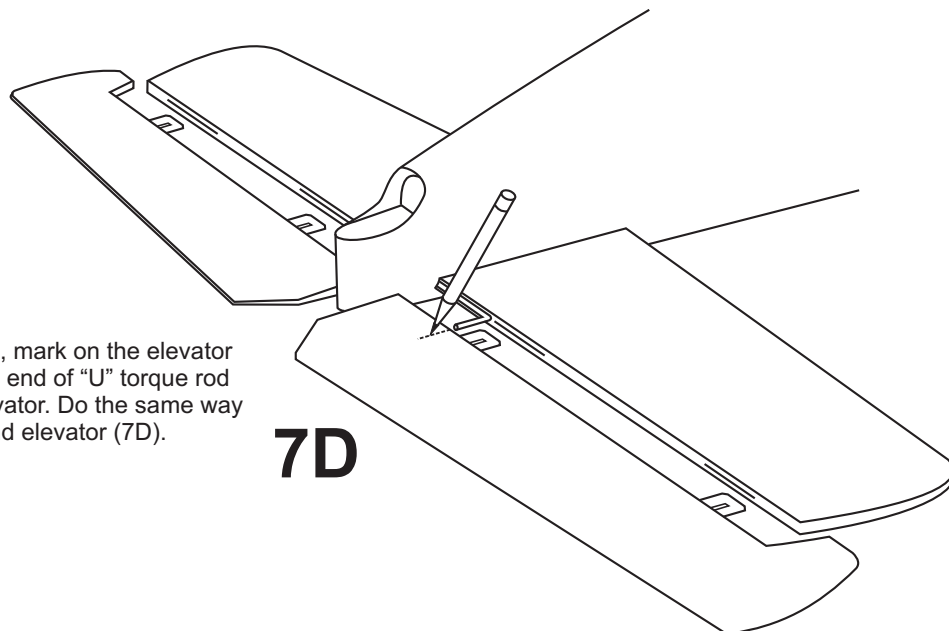
"U" torque rod

7B



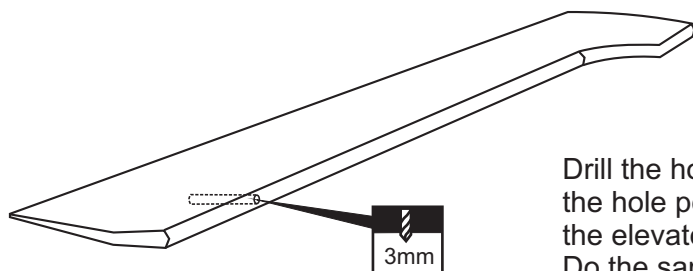
7C

Install the horizontal stabilizer and the "U" torque rod into the fuselage at once, then adjust the alignment as described in step 7A. Secure the horizontal stabilizer in place using CA glue.



Use the pencil, mark on the elevator where the one end of "U" torque rod meets the elevator. Do the same way with the second elevator (7D).

7D



7E

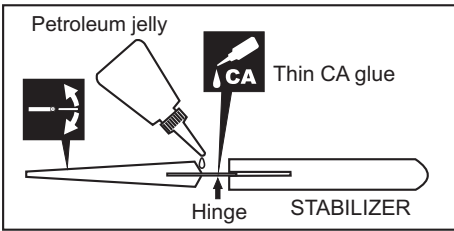
Drill the hole as marked, making sure that you drill the hole perpendicular to the leading edge of the elevator half (7E). Do the same way with second elevator.



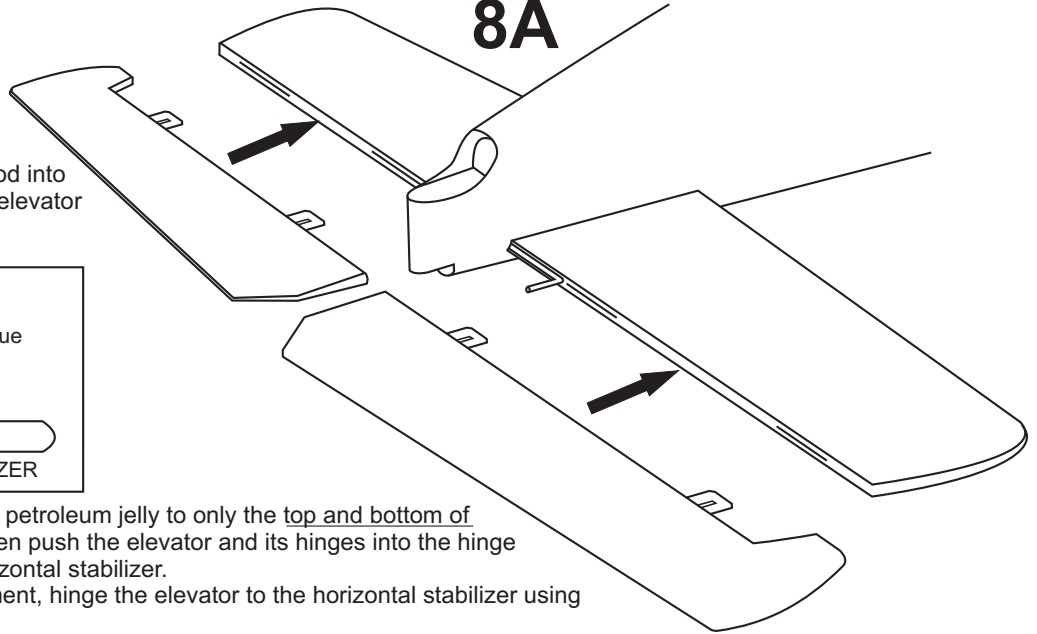
8

8A

Test-fit one end of the "U" torque rod into each elevator half before glue the elevator hinges to the horizontal stabilizer.

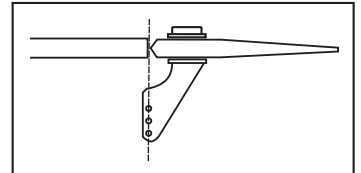


Apply a thin layer of machine oil or petroleum jelly to only the top and bottom of the trailing edge of the elevator, then push the elevator and its hinges into the hinge slots in the trailing edge of the horizontal stabilizer. When satisfied with the and alignment, hinge the elevator to the horizontal stabilizer using CA glue.

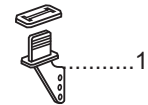


8B

Cut away only the covering both side



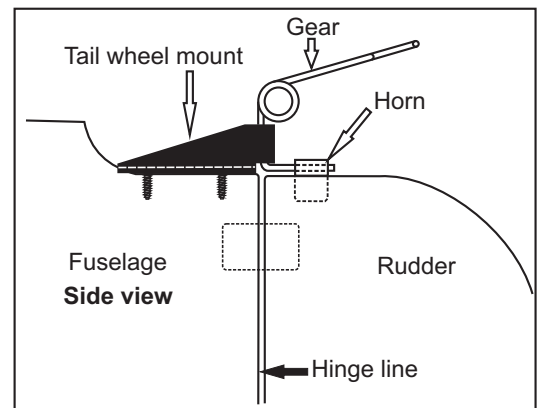
Elevator control horn



Note: The rectangular hole for the control horn installation is pre-cut at factory.

8C

2mm

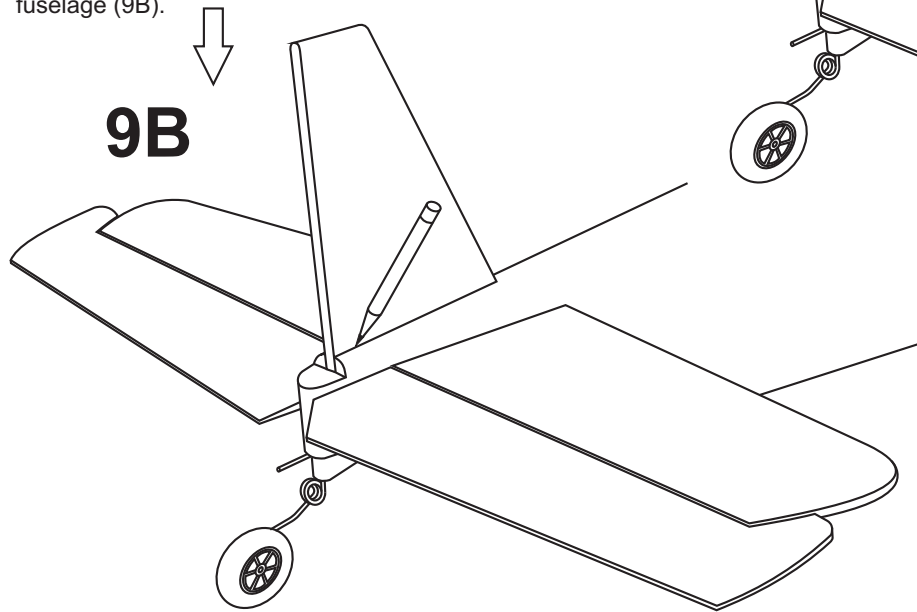


Vis 3x10mm

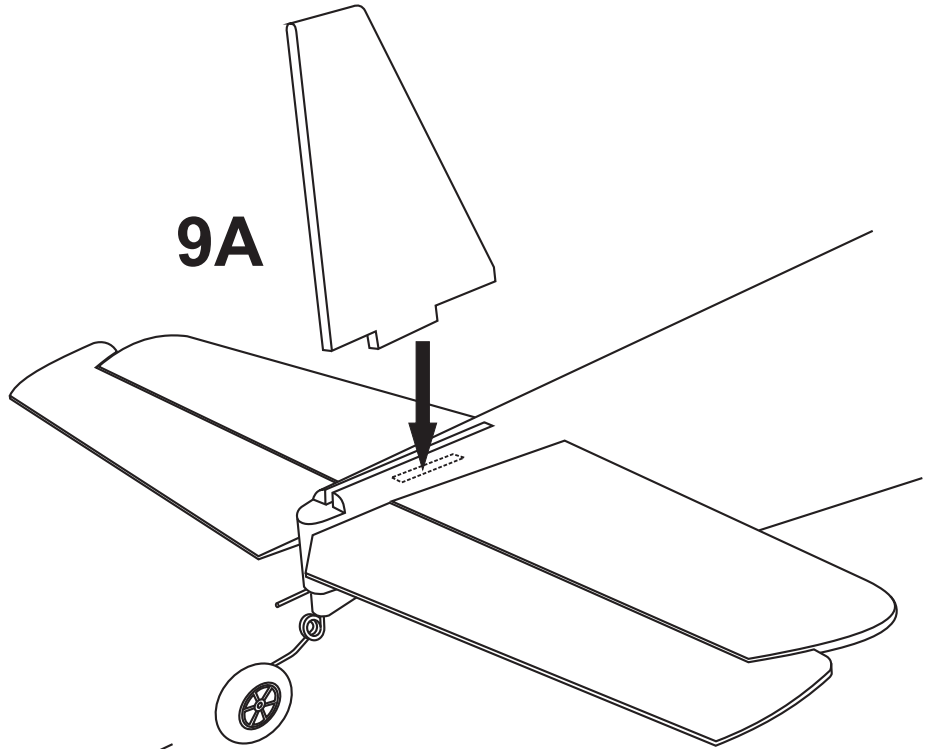


9

When you are satisfied with the alignment, use a pencil to trace around the right and left of the stabilizer where it meets the fuselage (9B).



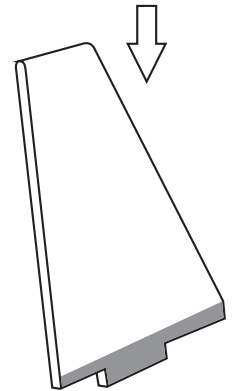
9A



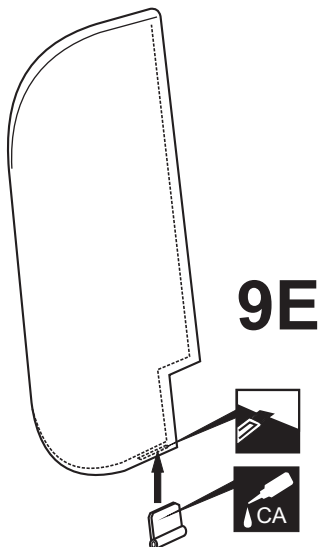
Remove the horizontal stabilizer from the fuselage. Using the sharp hobby knife, carefully cut away the covering inside the lines which were marked above (9C).

*** WARNING:** When removing any covering from the airframe, please ensure that you secure the cut edge with CA or similar cement. This will ensure the covering remain tight.

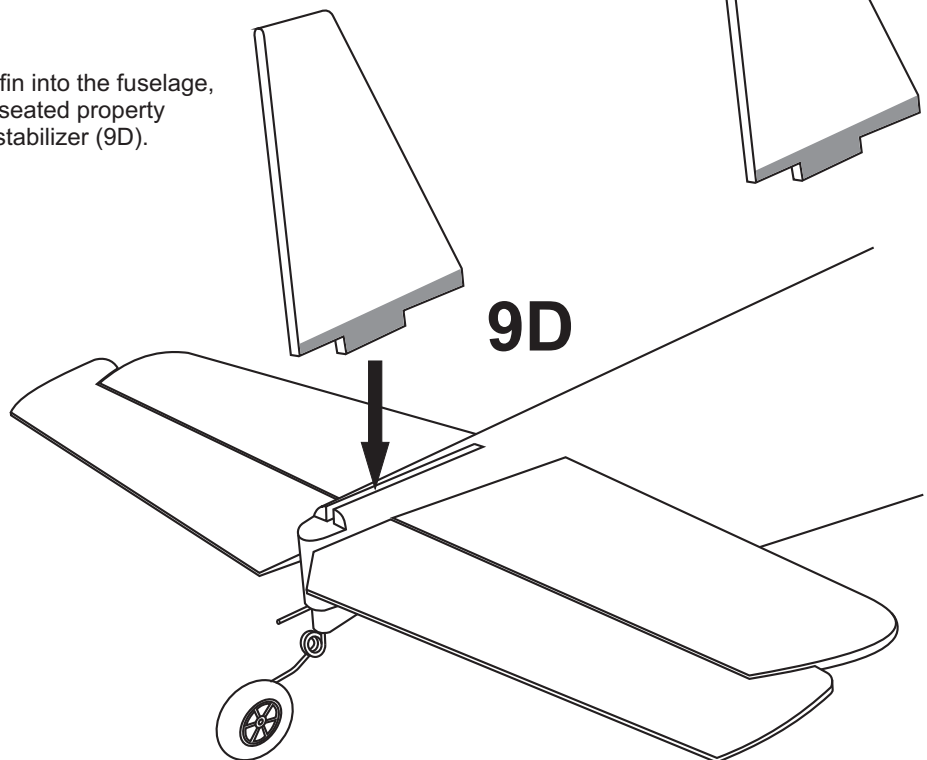
9C



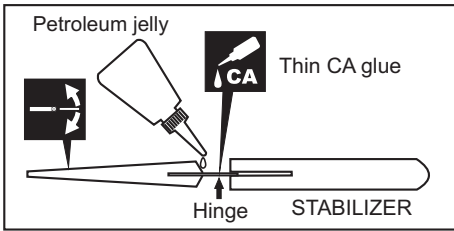
Insert the vertical fin into the fuselage, ensuring that it is seated properly on the horizontal stabilizer (9D).



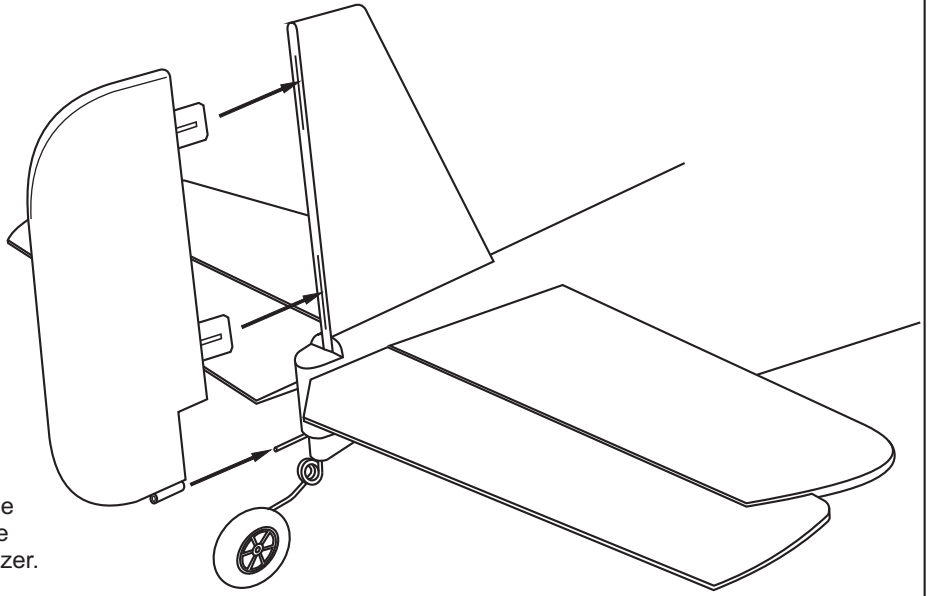
9D



10

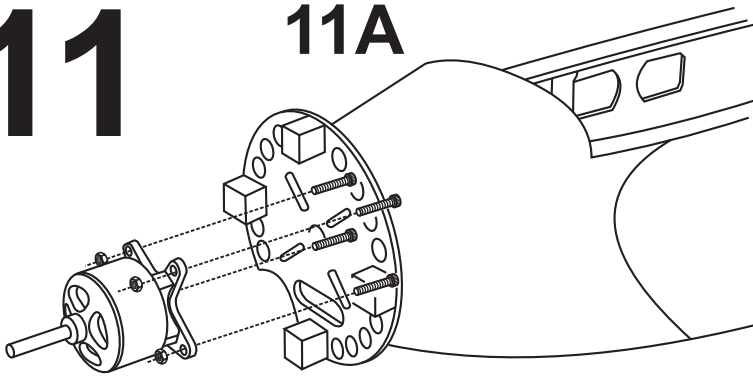


Apply a thin layer of machine oil or petroleum jelly to only the top and bottom of the trailing edge of the rudder, then push the rudder and its hinges into the hinge slots in the trailing edge of the vertical stabilizer. When satisfied with the alignment, hinge the rudder to the vertical stabilizer using CA glue.

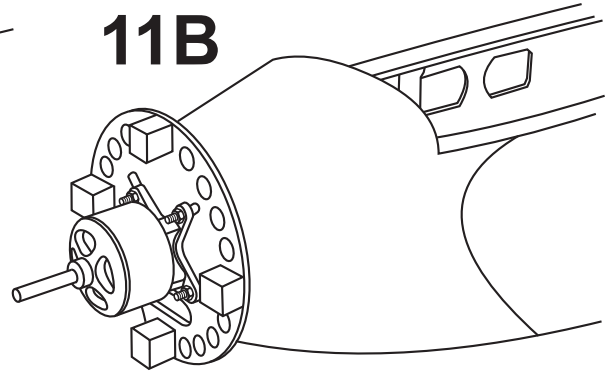


11

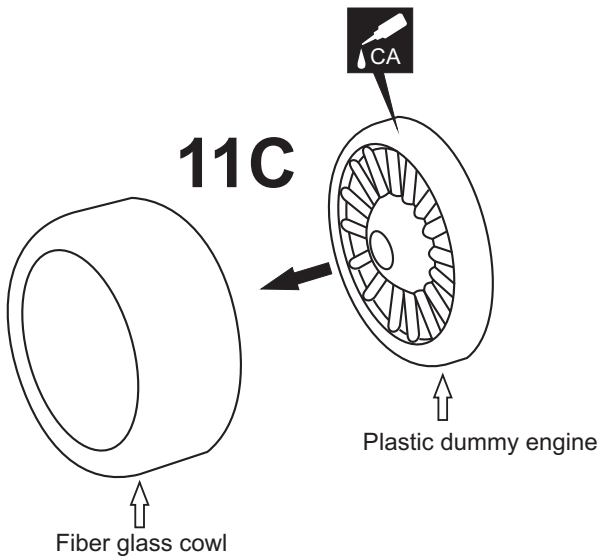
11A



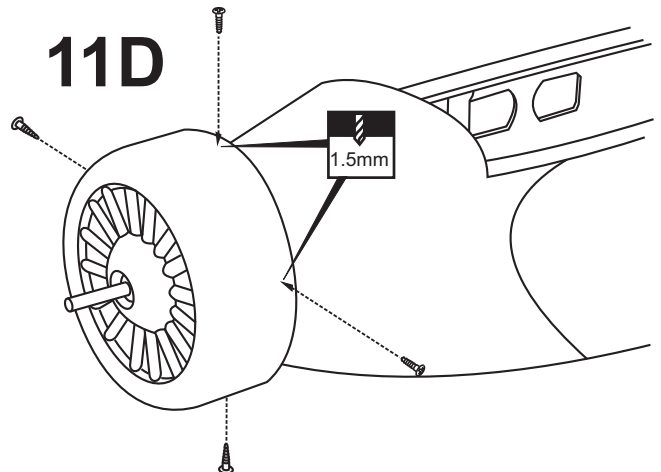
11B



11C



11D



Vis 2x8mm



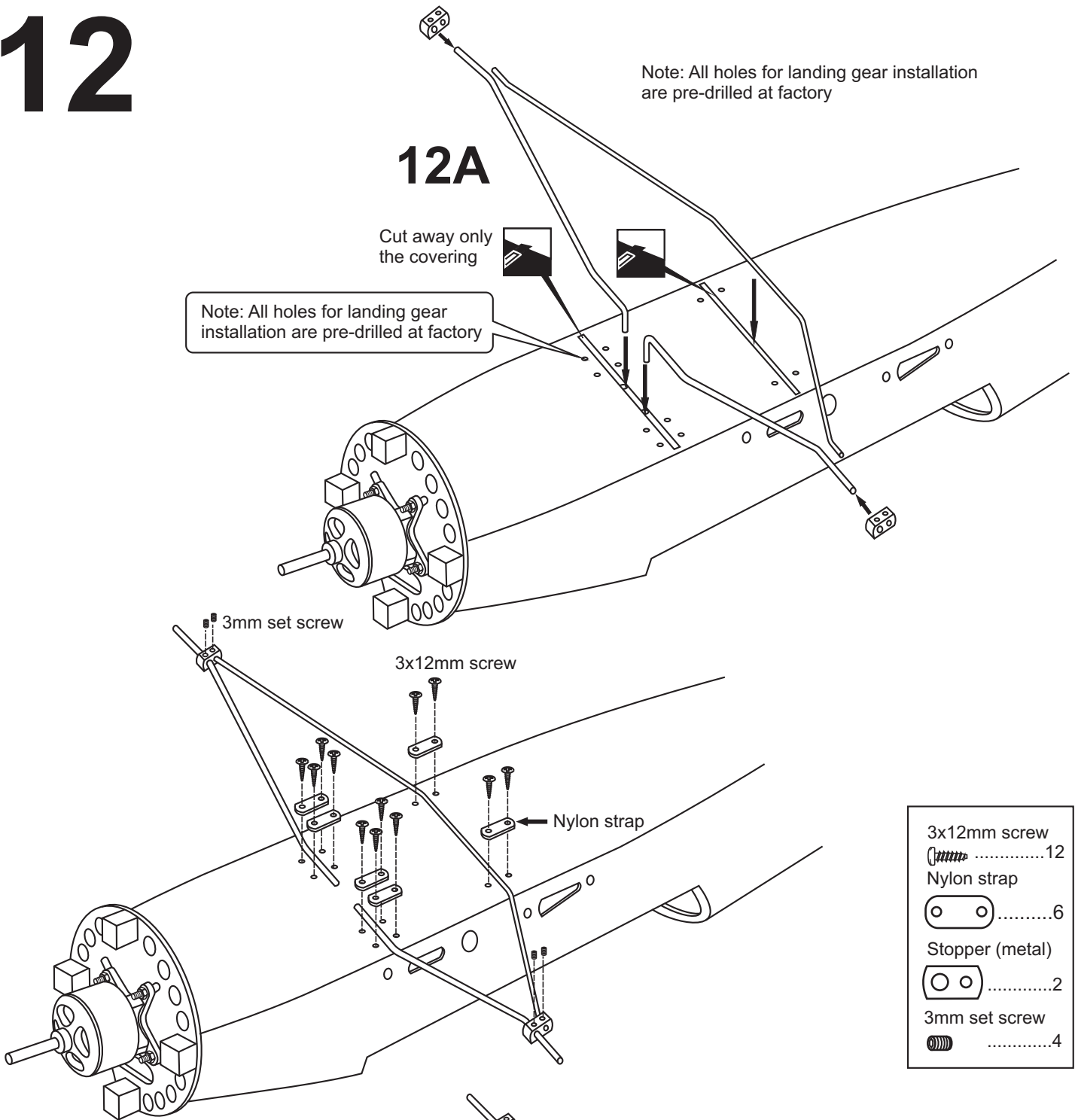
12

Note: All holes for landing gear installation are pre-drilled at factory

12A

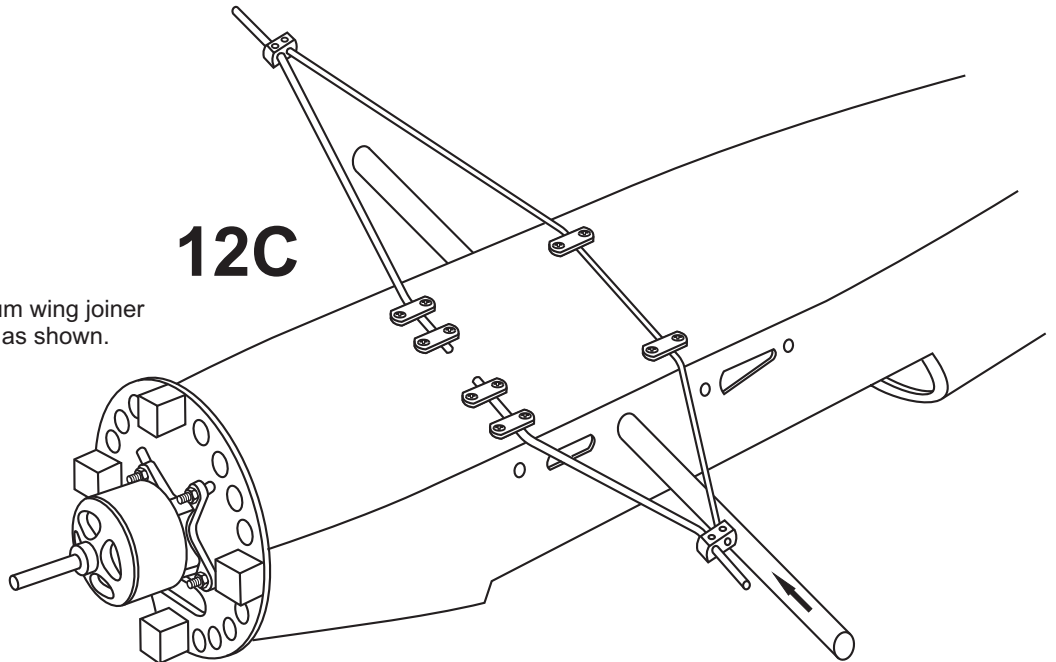
Cut away only the covering

Note: All holes for landing gear installation are pre-drilled at factory



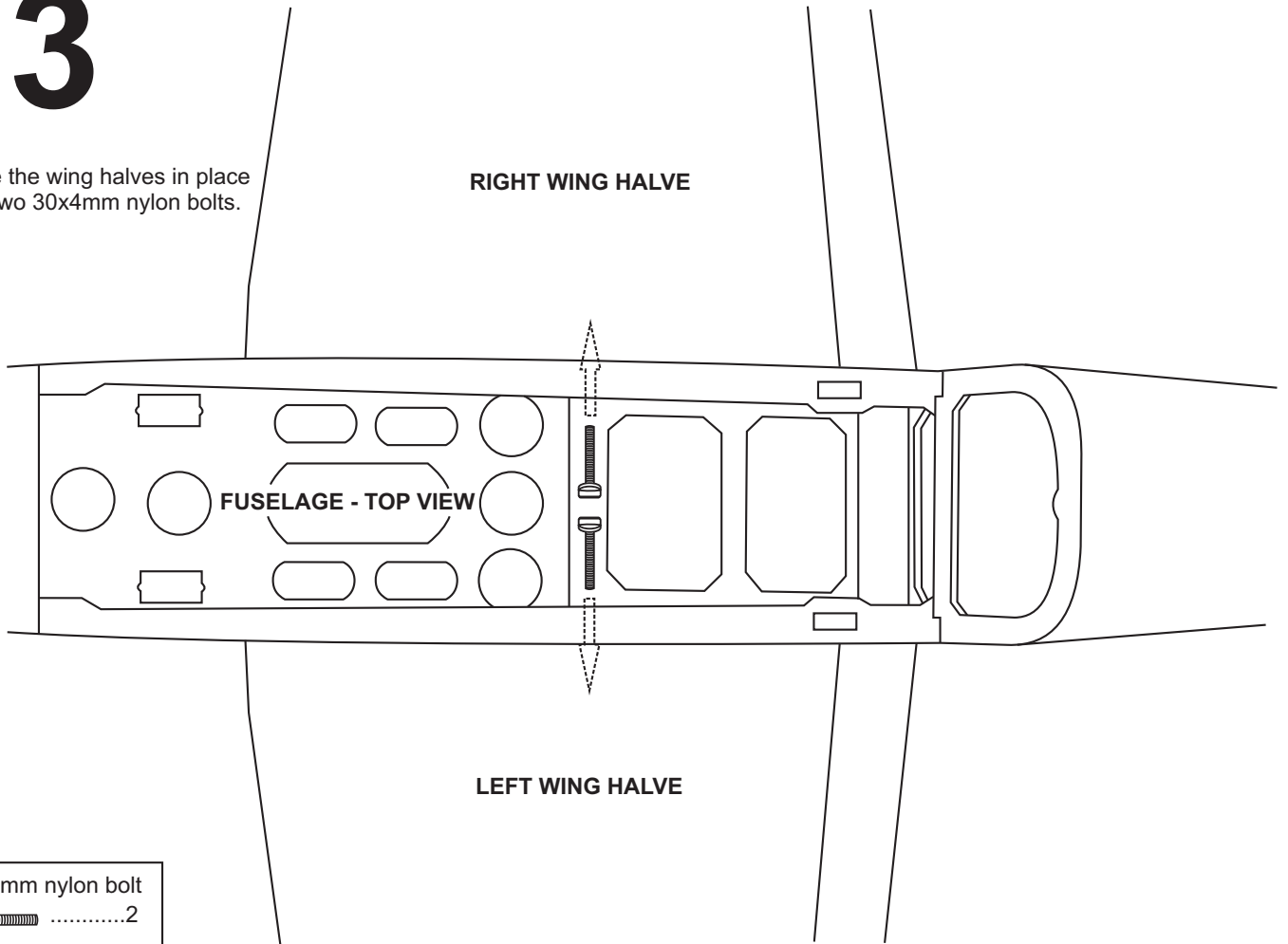
12C

Slide the aluminum wing joiner into the fuselage as shown.

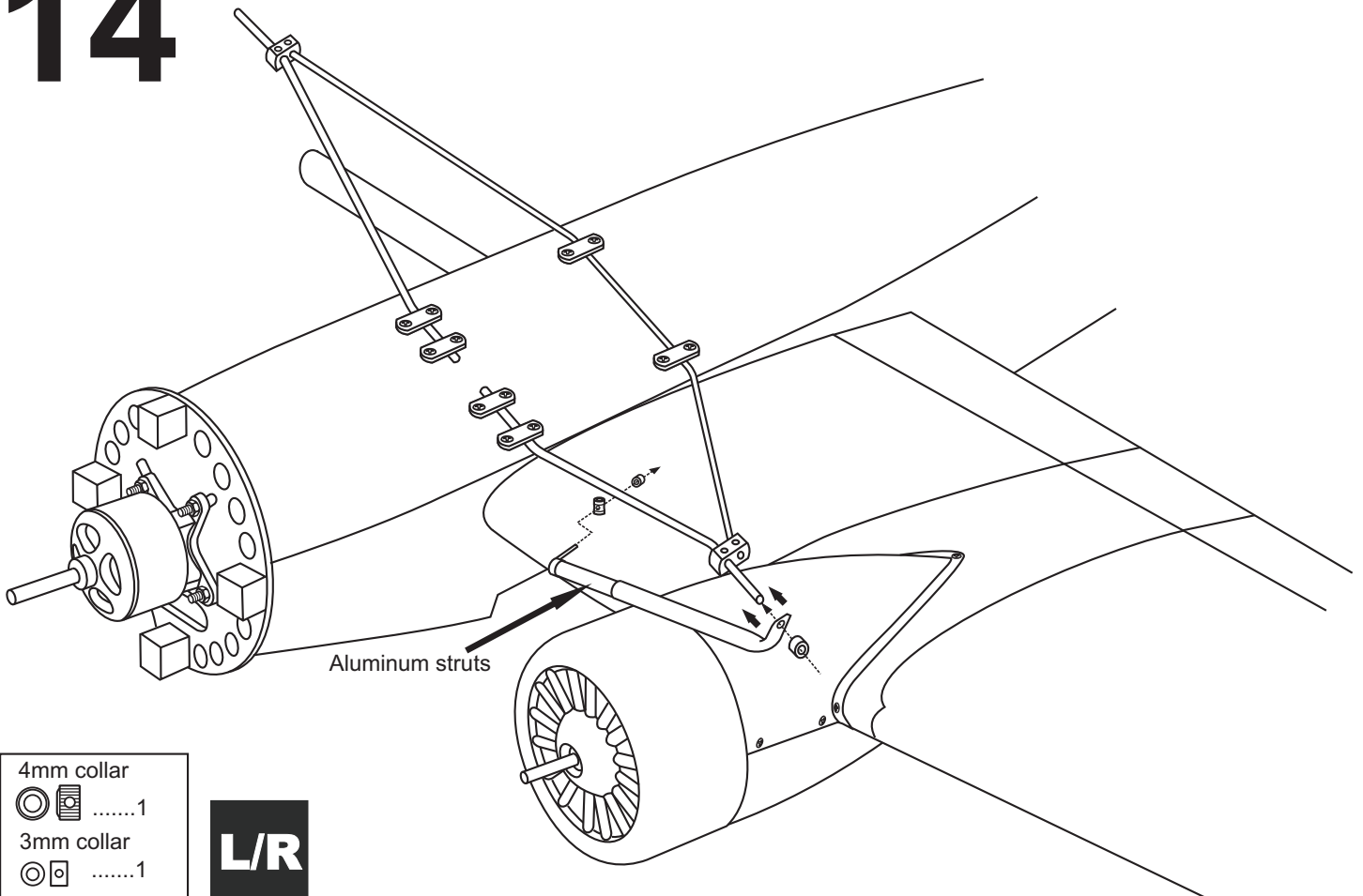


13

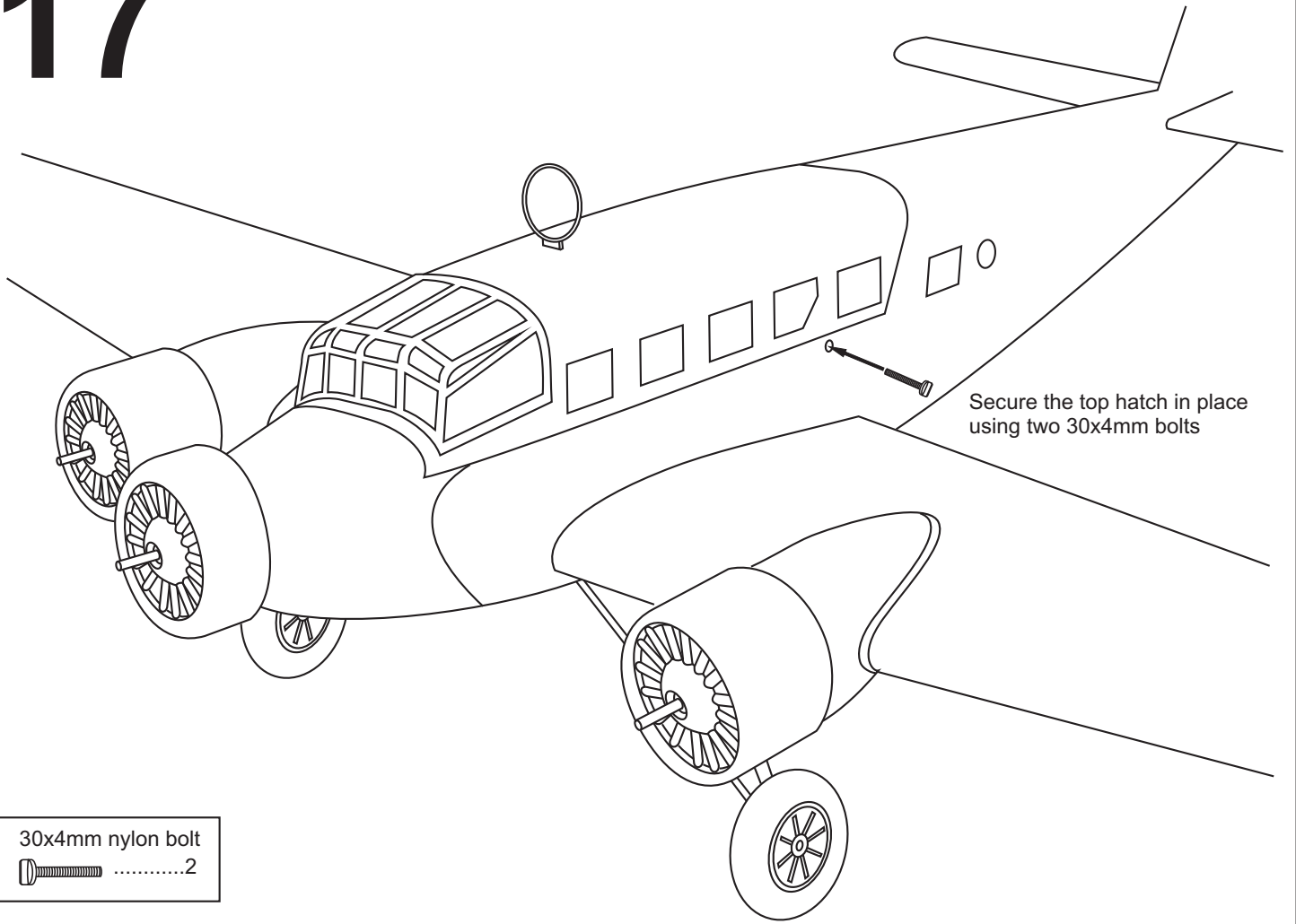
Secure the wing halves in place using two 30x4mm nylon bolts.




14

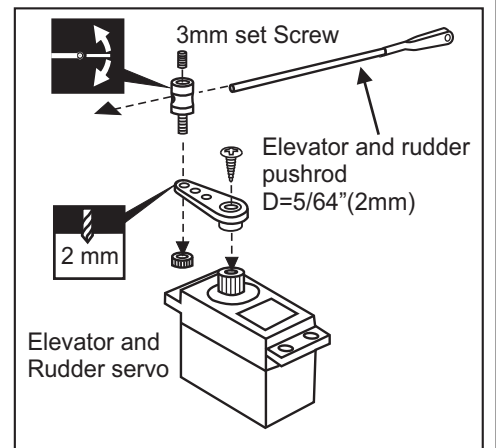
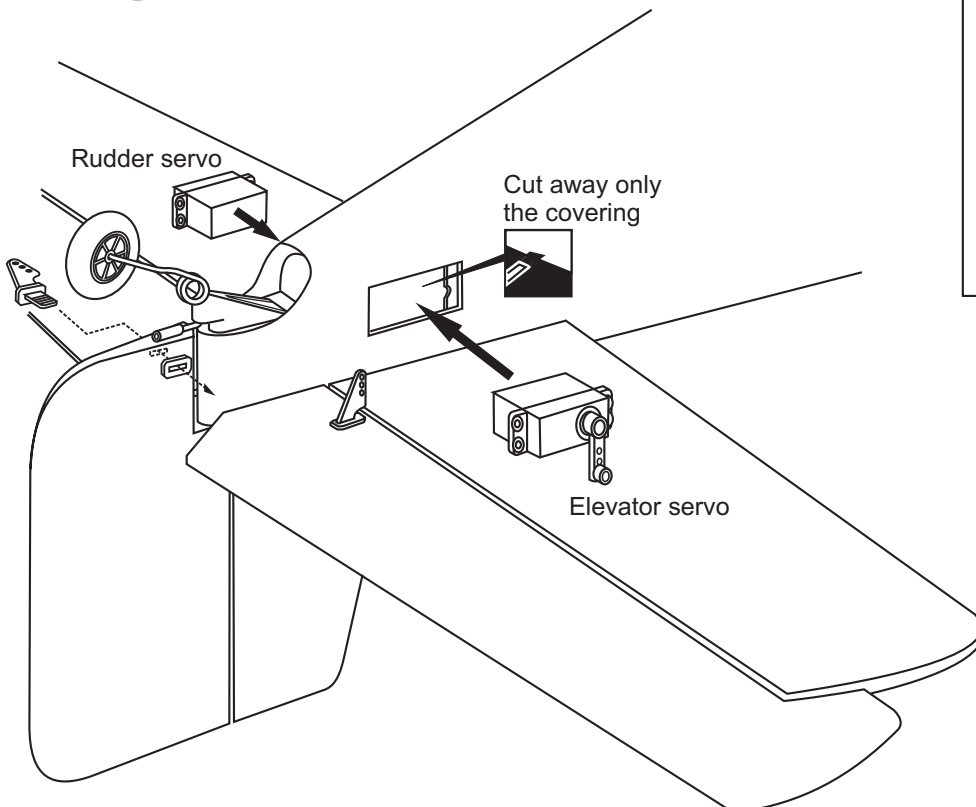





17



- 30x4mm nylon bolt
- 2

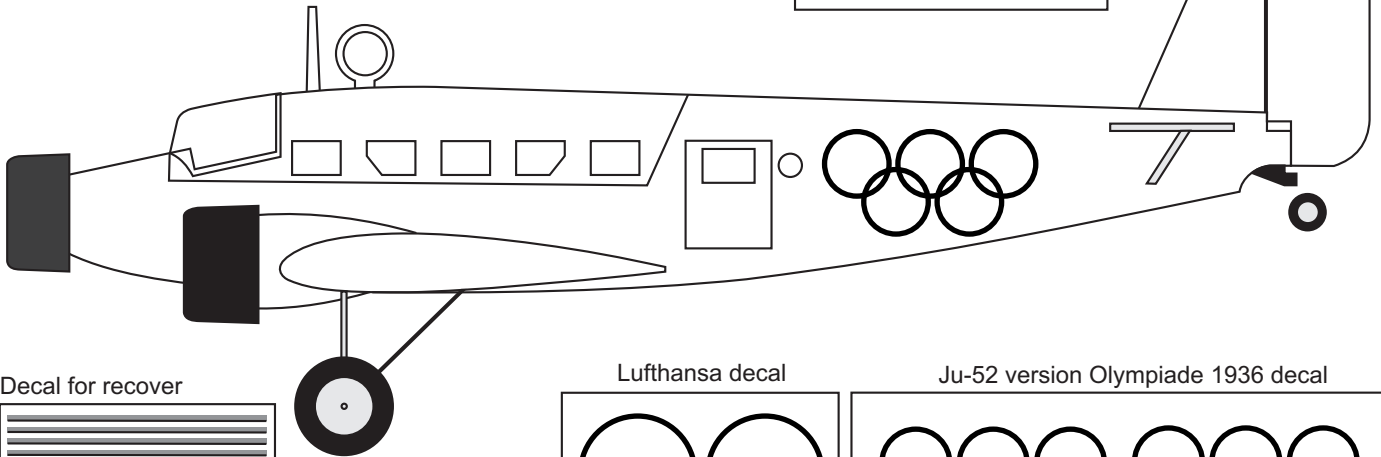
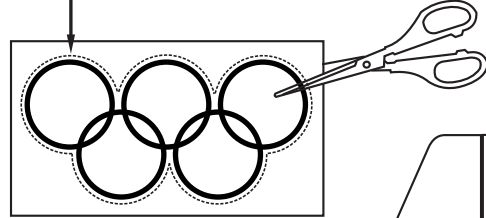
18



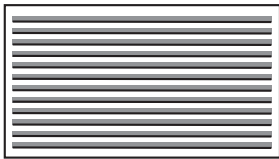
- Rudder control horn
- 1
- Linkage Stopper set
- 2
- 175mm pushrod
- 2

19

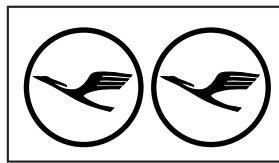
Cut around the cycles



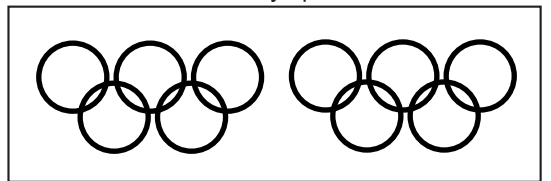
Decal for recover



Lufthansa decal



Ju-52 version Olympiade 1936 decal



Note: Cut out the stickers and apply them in the proper area. Do not peel the backing paper off all at once. Peel off one corner of the backing and cut off with scissors.

Arrange sticker on model and when satisfied adhere the corner without backing.

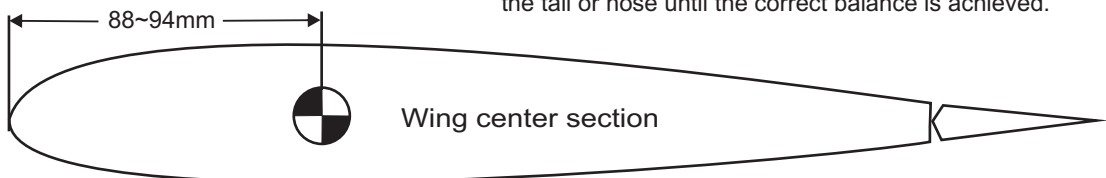
Carefully peel back the rest of the backing while at the same time adhering the rest of the sticker.

Try not to make air bubbles, if there are some, carefully puncture sticker (center of bubble) but not model surface with the tip of the knife or sharp pin and squeeze out the air.

20

BALANCE - CONTROL SURFACE

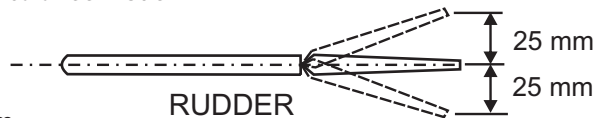
Note: If necessary, move the battery pack or add weight to either the tail or nose until the correct balance is achieved.



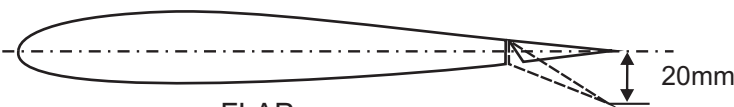
DO NOT try to fly an out-of-balance model !



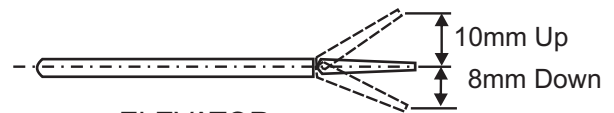
AILERON



RUDDER



FLAP



ELEVATOR

IMPORTANT: Flying your model at these throws will provide you with the greatest chance for successful first flights. If, after you have become accustomed to the way the Ju-52 flies, you would like to change the throws to suit your taste that is fine. However, too much control throw could make the model difficult to control, so remember, "more is not always better".

IMPORTANT: Please do not clean your model with pure alcohol, only use liquid soap with water or use glass cleaner to clean on surface of your model to keep the colour not fade.